

**6.2mm Square Tact Switch (Vertical, SMT/TH Type)**



TSG-51/52/55/56/57/58S/T-XXXH

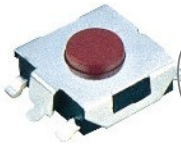
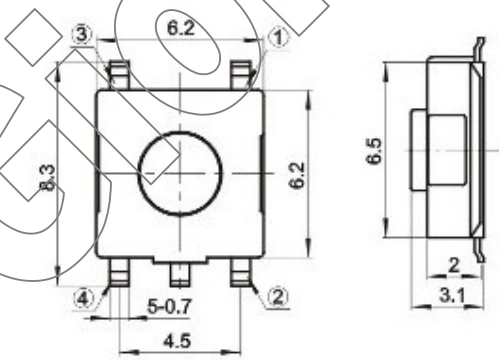
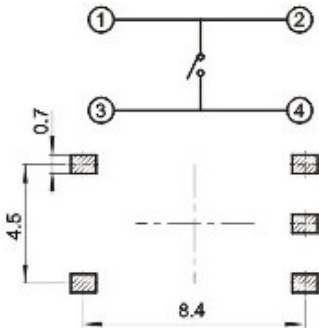
TS - Tact Switch  
 G - G Series  
 51 / 52 / 55 / 56 / 57 / 58 - Type  
 S / T – SMT Type, TH Type  
 XXX - Action Force (gram)  
 H - With Post (Optional)


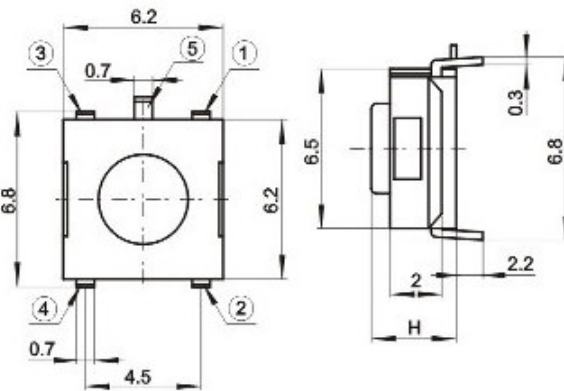
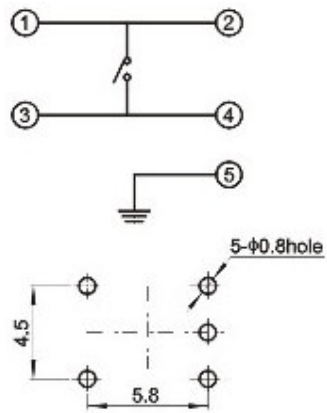

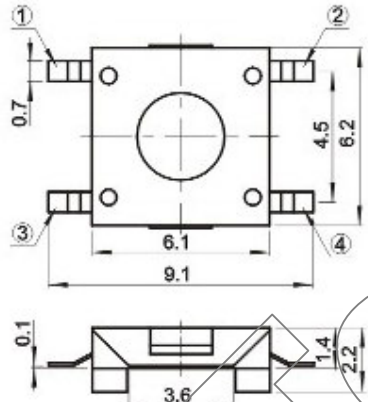
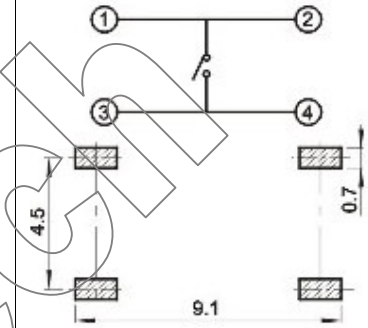
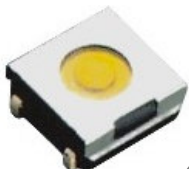
**SPECIFICATIONS**

Mechanical Life: 200,000 cycles for 180g±50g  
 100,000 cycles for 250g±50g  
 Operating Force: 180g±50g, 250g±50g  
 Travel: 0.25±0.1mm  
 Rating: 50mA 12V DC  
 Dielectric Withstanding: 250V AC/minute  
 Insulator Resistance: ≥ 100 MΩ at 100V  
 Contact Resistance: ≤ 100 mΩ/Contact  
 Operating Temperature: -30°C ~ +85°C  
 Storage Temperature: -40°C ~ +85°C

**Material**

Base: PA66/PA6T, UL94V-0  
 Contact material: Phosphor Bronze  
 Contact Spring Plating: Stainless Steel/Silver Plating

Physical Picture	Outline Drawing	Circuit
 <p>TSG-51S-200H</p>		

 <p>TSG-52S-XXXH</p>		
 <p>TSG-55S-XXX</p>		
 <p>TSG-56S-XXX</p>	